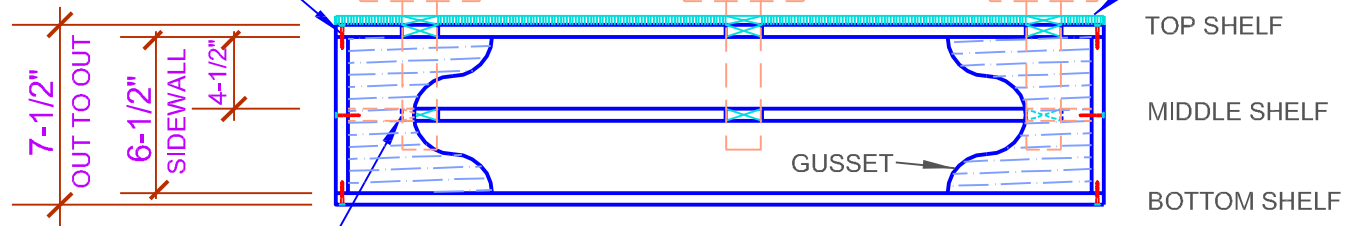


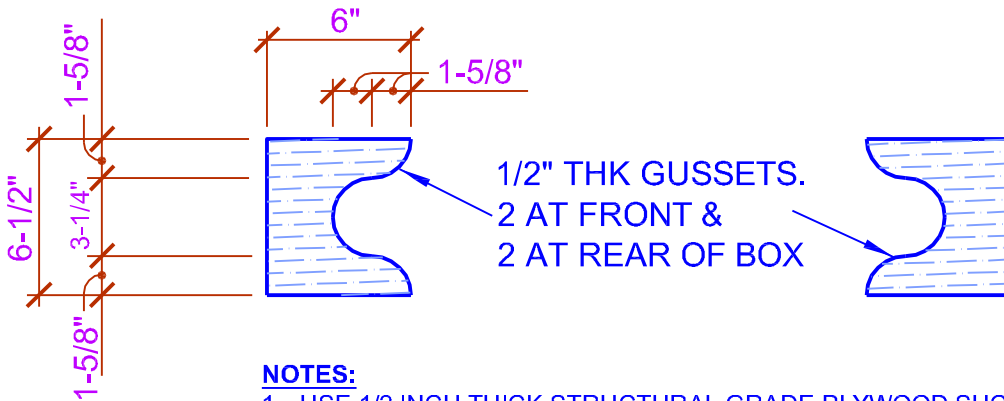
OUTLINE OF 4TH OCTAVE
BASS BELLS

USE No. 8 x 1-1/4"
LONG
FLAT-HEAD
WOOD SCREWS
& GLUE TO
FASTEN

CARPET
SQUARES WITH
ADHESIVE
BACKING ON
TOP SHELF



1-1/2" x 2-5/8" CUT
HOLES FOR BELL
HANDLES. VERIFY
DIMENSIONS WITH
YOUR BELLS.
HOLES IN TOP &
MIDDLE SHELVES



NOTES:

1. USE 1/2 INCH THICK STRUCTURAL GRADE PLYWOOD SUCH AS: CC WITH EXTERIOR GLUE AND PLUGGED OR BETTER.
2. USE GOOD QUALITY WOOD GLUE AND THE FLAT-HEAD WOOD SCREWS.
3. PREDRILL ALL SCREW HOLES AND COUNTERSINK SCREW HEADS.
4. FOR BEST RESULTS, PAINT ALL SURFACES OF THE PLYWOOD EXCEPT GLUING SURFACES **BEFORE** ASSEMBLY.

ELEVATION VIEW

BASS BELL BOX -- Information